

# Self-Adhering CLEAR PROTECTIVE FILM COVERS for SARTORIUS Color Mix EX Paint Scale

## Product Performance Benefits

Keep your paint scale looking "like-new" clean all the time.

Remove Film Covers when dirty and apply anew.

- ◆ 100% see-thru clarity
- ◆ "Skin-tight" fit against data screen and panel keyboard
- ◆ Protects scale, improves paint mixing efficiency and adds life to equipment



**PREVENT THIS!**  
cloudy, dirty,  
loose fitting cover,  
and paint  
splattered scale.



## Product Information

Part No.	Description	Units/Case
405	15" x 15" Clear Panel Screen & Keyboard Cover	1
406	12" x 9" Scale Post Strip	3
416	9" Diameter Clear Scale Base Cover	2
417	7" x 9" Rectangular Clear Scale Base Cover (not shown)	2

## Self-Adhering

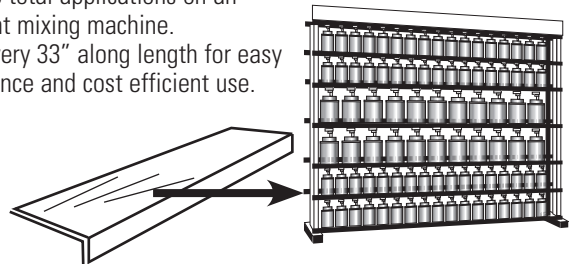
# PAINT MIXING MACHINE SHELF LINERS

## Product Performance Benefits

- ◆ Clear, protective film keeps shelves clean.
- ◆ Paint mixing drips and spills fall on film, not on shelf.
- ◆ Remove when dirty and apply anew.
- ◆ 66' length gives two total applications on an average 6-shelf paint mixing machine.
- ◆ Roll is perforated every 33" along length for easy to position convenience and cost efficient use.

## Product Information

Part No.	Description	Units/Case
414	Self-adhering Paint Mixing Machine Shelf Liner 12" x 66' Clear Plastic Film Roll (Perforated every 33" along length)	1 roll



## Self-Adhering

# PAINT MIXING TABLE COVER

*A clear, protective film cover that keeps mixing tables clean from paint mixing splashes and drips.*

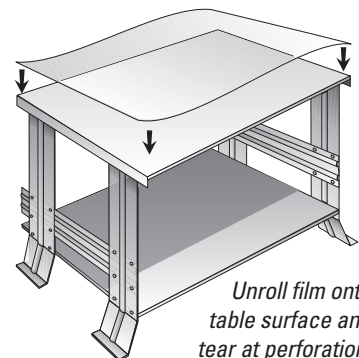
**REVERSE-WOUND ROLL (adhesive to the outside)  
ENABLES EASY ROLLING LAYDOWN OF FILM TO TABLE SURFACE.**

## Product Information

Part No.	Description	Units/Case
420	22" x 75' Roll (.56m x 22.9m) Self-Adhering Plastic Film (Perforated every 36" along length.)	1 roll

**Remove When Dirty and Apply Anew!**

Perforated roll provides 25 three-foot-long table covers.



*Unroll film onto table surface and tear at perforation. (22" wide roll is perforated every 36" along length.)*